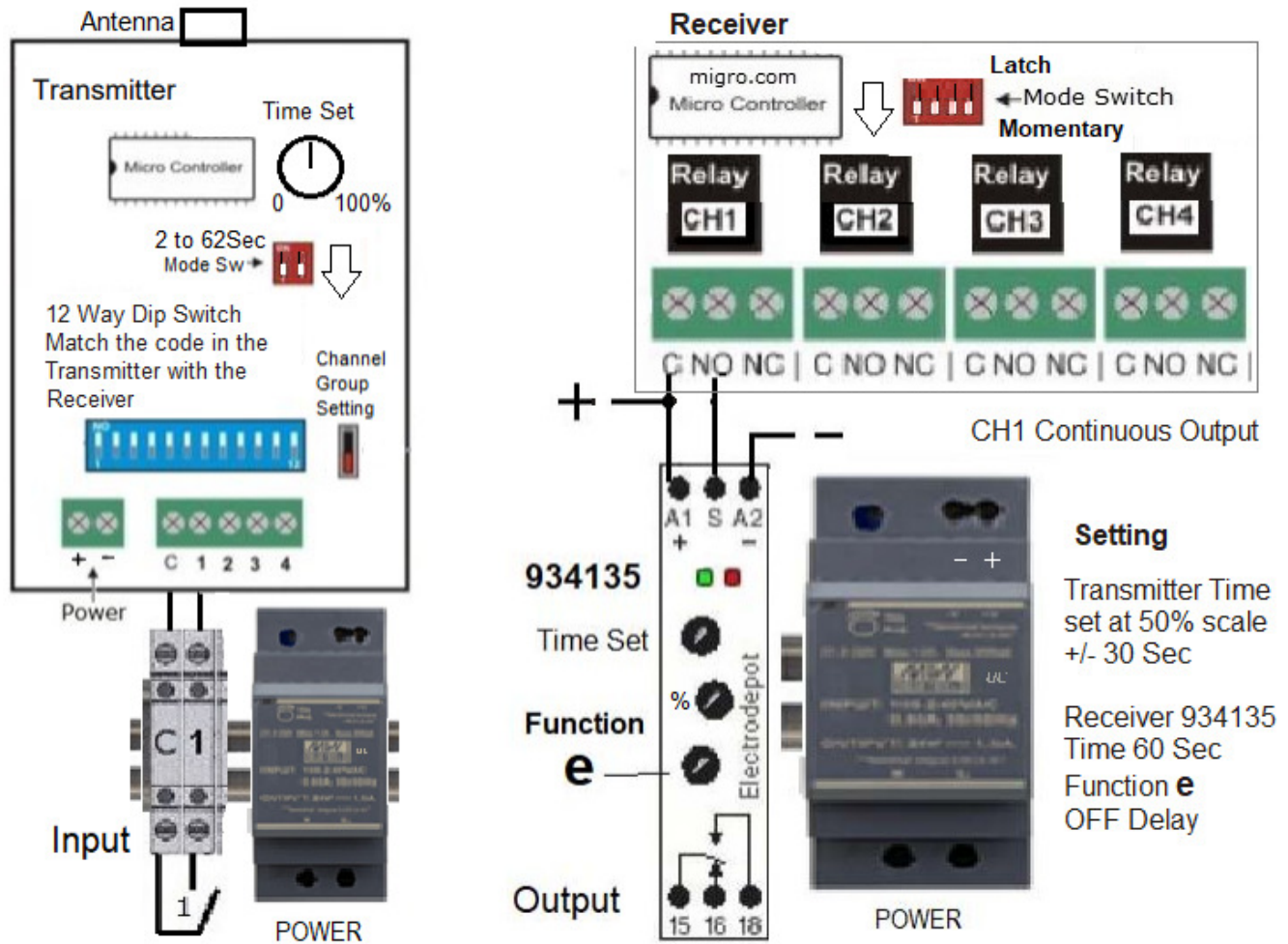


TEST the system before the installation ON a bench for proper setup and operation



NOTE: Transmitter and Receiver antennas shall be mounted facing the same vertical position, (same polarity pattern) even when there is no line of sight.

Never operate the transmitter or receiver without the antenna.

Separate the Transmitter and Receiver at least 6 feet (2 meter) apart
 Make sure the 12 code DIP switch from the Transmitter matches the Receiver

- 1 Connect the Transmitter & Receiver to a power source
NOTE: CH1 **Continuous operation**, CH2, 3 and 4 (Pulse)
- 2 At the Transmitter terminal Close INPUT CH1 with a wire jumper (Hold)
 Transmitter will send pulses, At the Receiver the relay 934135 energizes. (ON All the time)
- 3 Release the jumper from INPUT CH1, The relay 934135 at the Receiver will disconnect after the OFF time delay is Expired: +/- 60 Sec.



Warning: Radio control equipment in not to be used in life safety.
 DISCLAIMER: Contact a licensed professional for your project.